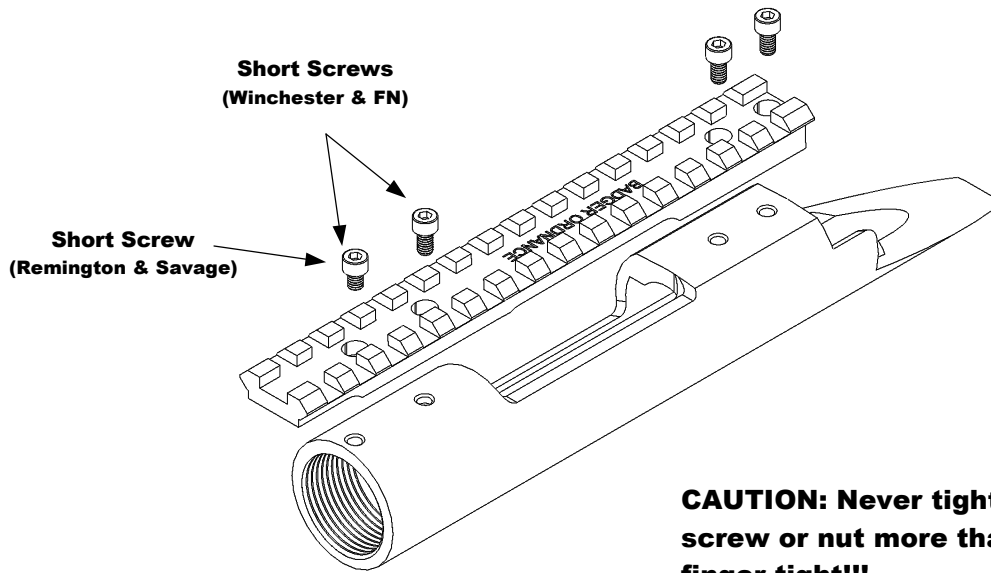
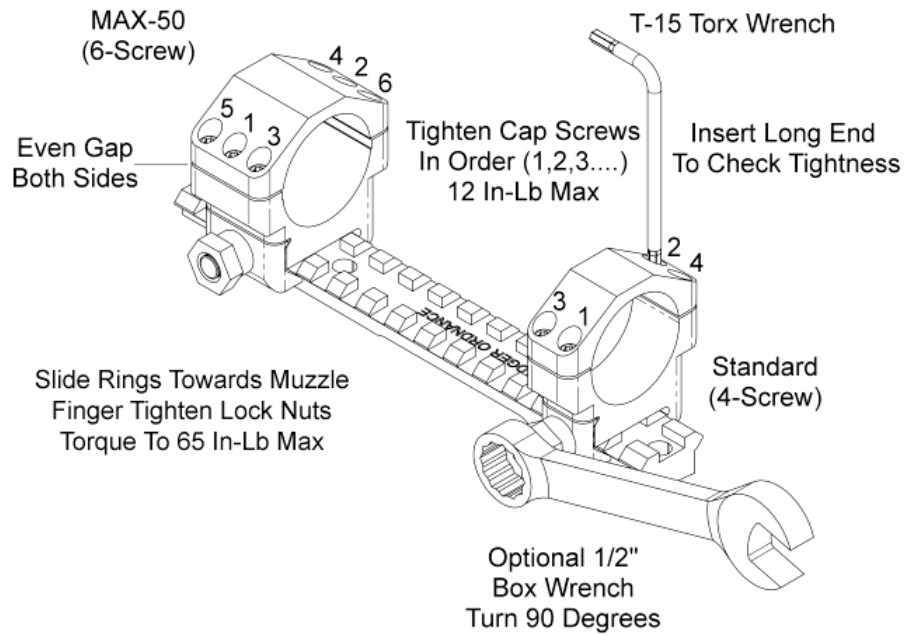


# BADGER ORDNANCE

1209 Swift N. Kansas City, MO. 64116



**CAUTION: Never tighten any screw or nut more than 90° past finger tight!!!**



**CAUTION: All Torque Settings Are INCH-POUNDS**