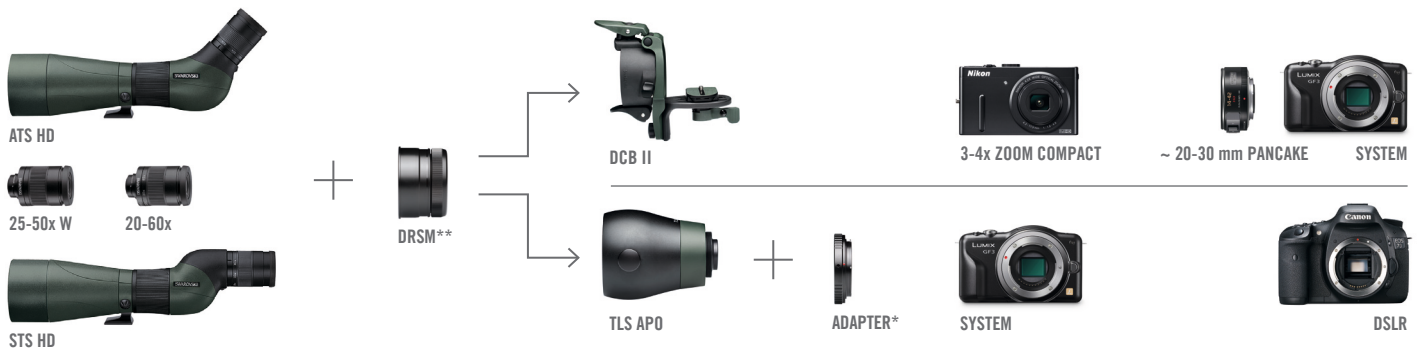


DIGISCOPING COMBINATIONS

SPOTTING SCOPE ADAPTER CAMERA



SPOTTING SCOPE ADAPTER CAMERA



SPOTTING SCOPE ADAPTER CAMERA



TR II SPOTTING SCOPE RAIL

To achieve the best possible results with all digiscoping adapters, we recommend you use the newly designed spotting scope rail, created specifically to ensure absolute stability when taking photos.

NEW TR II SPOTTING SCOPE RAIL

- high stability thanks to two support points
- quick-release system for rapid adjustment
- full access to focusing ring
- long adjustment track for optimum stability, regardless of the camera used



* Sturdy SWAROVSKI OPTIK adapter rings for various cameras are available from authorized dealers.

** SUPPLIED WITH: The TLS APO and DCB II are supplied with the DRX (for ATX/STX) and DRSM (for ATS HD/STS HD) respectively.